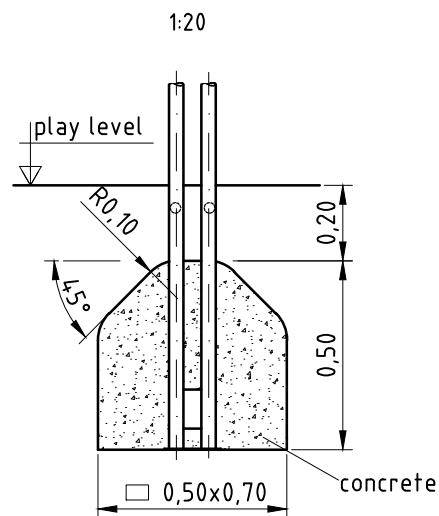


*minimum space requirements approx. 11 m² only referring to a free-standing water wheel as illustrated. If further water play elements are added (like e.g. a water trough), space requirements will have to be adjusted.



1. Assign a device location considering the space requirements.
2. Excavate soil for foundation, according to drawing.
Please note: To achieve maximum stability and a safe installation, a moderate level of soil solubility is required.
3. Place water wheel into the foundation hole. Grout foundation with compressed concrete C20/25, chamfer and round off the edges and cover the foundation with appropriate surfacing material (acc. to EN 1176-1).
4. Release for play after concrete foundation has set.